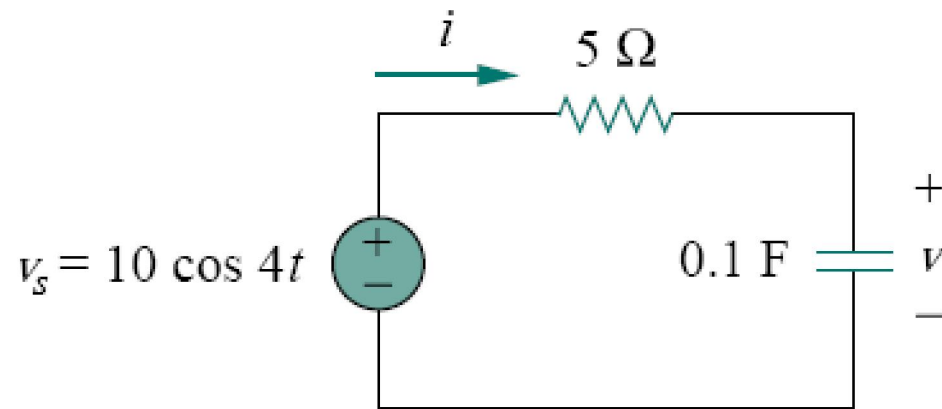
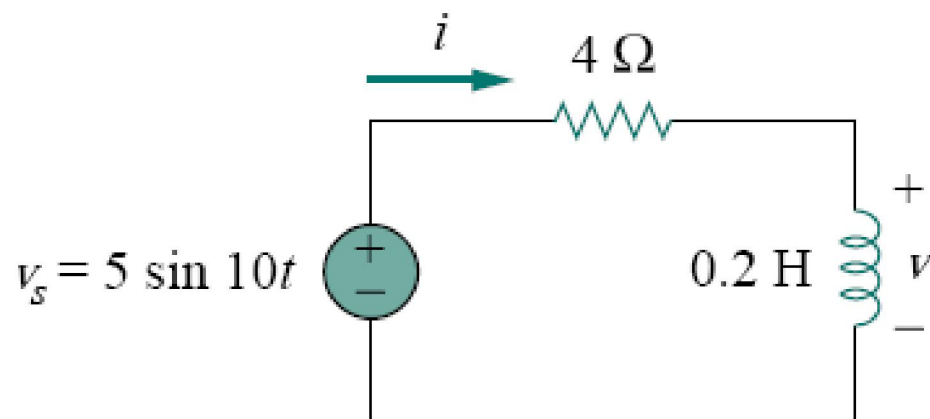


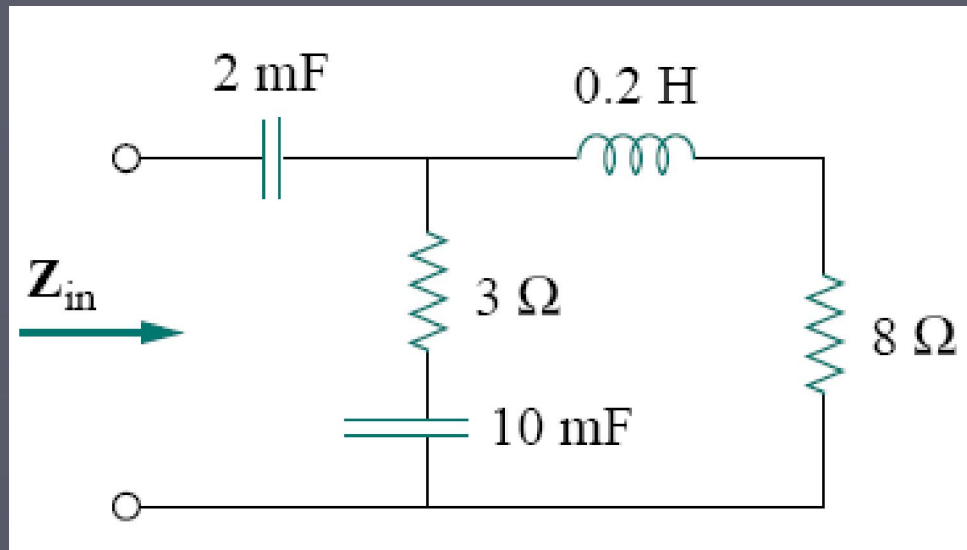
Home work



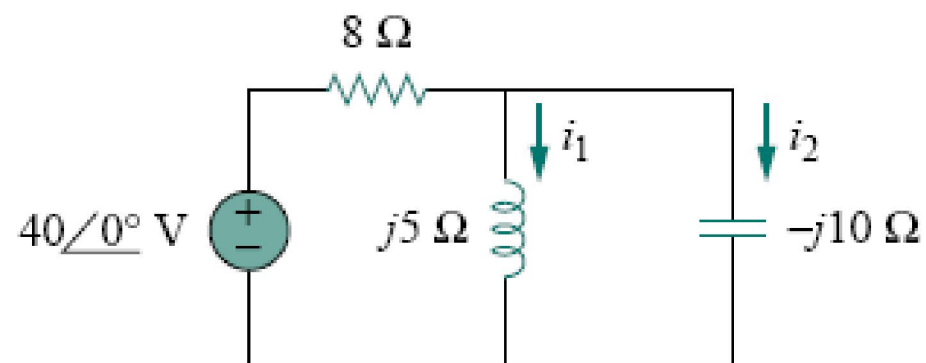
Determine $v(t)$ and $i(t)$.



Determine $v(t)$ and $i(t)$.



Calculate $i_1(t)$ and $i_2(t)$ in the circuit of Fig. 9.45 if the source frequency is 60 Hz .



Find current I_o in the network of Fig. 9.51.
the source frequency is 60 Hz.

