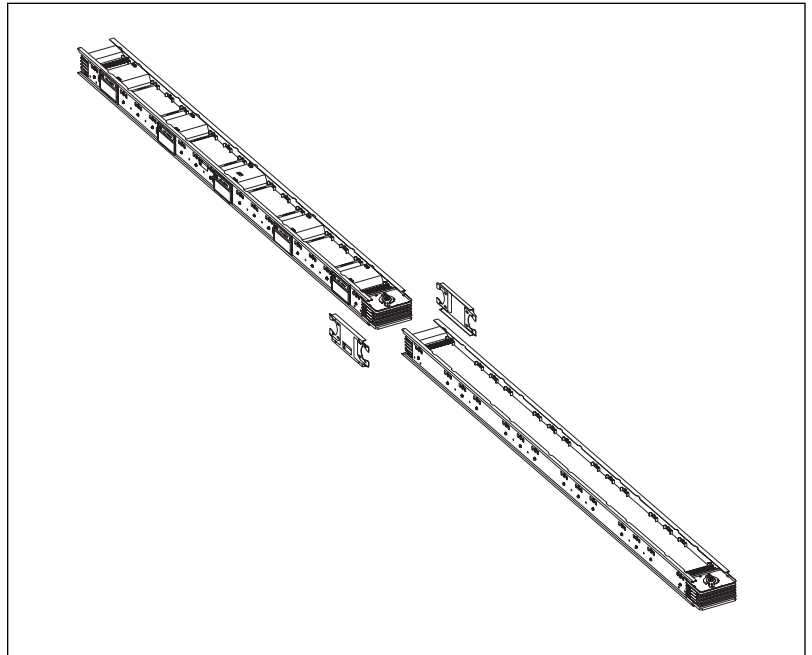
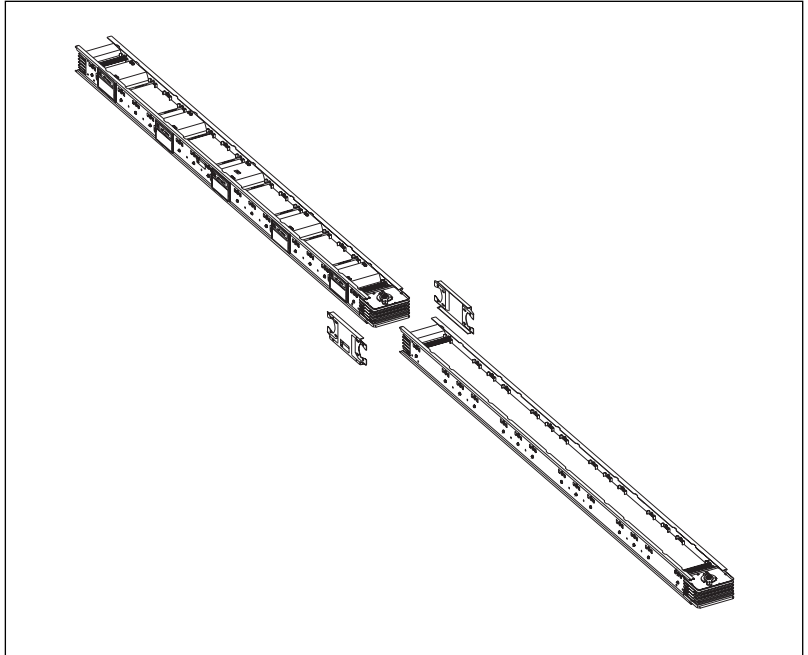


**I-LINE® II Indoor Feeder Busway**  
**Electroducto para interiores I-LINE® II**  
**Canalisation préfabriquée**  
**pour intérieur I-LINE® II**  
Class / Clase / Classe 5615



# Instruction Bulletin

## I-LINE<sup>®</sup> II Indoor Busway Class 5615



SQUARE D

**CONTENTS**

1.	INTRODUCTION .....	1
2.	SAFETY PRECAUTIONS .....	2
3.	RECEIVING, HANDLING, AND STORAGE .....	3
	General .....	3
	Receiving .....	3
	Handling .....	3
	Moisture Protection During Storage .....	4
4.	INSTALLATION .....	5
	Vertical Mounting for Fusible Switch Plug-in Units .....	8
5.	STEPS TO TAKE BEFORE ENERGIZING, AFTER INSTALLATION .....	9
6.	ENERGIZING THE EQUIPMENT .....	10
7.	MAINTENANCE .....	11

**FIGURE**

1.	Joint assembly .....	6
2.	Spacing for various joint end configurations .....	7
3.	Installing joint tie channels .....	7
4.	Fusible switch plug-in unit diagram .....	8

**TABLE**

1.	Fusible Switch Locations .....	8
2.	Insulation Resistance Readings .....	13

## SECTION 1—INTRODUCTION

This manual contains instructions for the handling, storage, installation, operation, and maintenance of I-LINE® II indoor busway equipment manufactured by Square D Company. The purchaser's engineering, installation, and operating staff supervisors should familiarize themselves with this manual and become acquainted with the appearance and characteristics of each piece of the busway.

Every I-LINE II busway device is carefully inspected and packaged at the assembly plant. Construction is checked, both structurally and electrically. After a complete inspection, the busway is prepared for shipment. Each section is packaged for easy handling before installation. The catalog number is plainly marked on each shipping section.

*NOTE: This instruction bulletin includes a log sheet (Table 2, Section 7). Use it to record final insulation resistance readings taken before energizing as well as important maintenance information that must be forwarded to the end user.*

## SECTION 2—SAFETY PRECAUTIONS

### **DANGER**

#### **HAZARD OF ELECTRIC SHOCK, BURN, OR EXPLOSION**

- Only qualified electrical maintenance personnel should install, operate, service, or maintain this equipment. This document should not be viewed as sufficient for those who are not otherwise qualified to operate, service, or maintain the equipment discussed.
- Turn off power to busway before installing, removing, or working on this equipment.
- Always use a properly rated voltage sensing device to confirm power is off.
- The successful operation of this equipment depends upon proper handling, installation, operation, and maintenance.

**Failure to follow these instructions will result in death or serious injury.**

Follow the safety label instructions on this equipment and inside this bulletin.

## SECTION 3—RECEIVING, HANDLING, AND STORAGE



### WARNING

#### HAZARD OF ELECTRIC SHOCK, BURN, OR EXPLOSION

- Protect this equipment from contaminants such as water, salts, concrete, and other corrosive environments before and during installation.
- Do not sit, walk, or stand on this equipment.

**Failure to follow these instructions can result in death, serious injury, or equipment damage.**

#### General

Proper planning and coordination between trades, heating contractors, and plumbing contractors are important for a good busway layout.

At all times, busway must be supported independently such that its weight does not rest on top of switchboards or transformers.

Before connecting this product to any existing Square D busway, consult your local Square D representative for proper coordination of products.

#### Receiving

Upon receipt, check the packing list against the equipment received to ensure the order and shipment are complete. Claims for shortages or other errors must be made in writing to Square D within 30 days of receipt of shipment. If a claim is not made within 30 days of receipt of the shipment, Square D will not be responsible for repair or replacement.

Also upon receipt, immediately inspect busway sections for any damage that may have occurred in transit. If damage is found or suspected, file a claim with the carrier immediately and notify the nearest Square D Company representative. Delivery of the equipment to a carrier at any of the Square D plants or other shipping point constitutes delivery to the purchaser and, regardless of freight payment, title and all risk of loss or damage pass to the purchaser at that time.

#### Handling

Handle busway with care to avoid damage to internal components and the enclosure or its finish. Avoid subjecting busway to twisting, denting, impact, and, in general, rough handling. Make sure the equipment at the installation site is adequate for handling the busway. **Verify the lifting capacity of the crane or other equipment available.**

Use care when unpacking. Cut the banding that secures the package with band cutters. Use nail pullers when unpacking wooden crates.

If hoisting the busway with a crane, use nylon straps to distribute the weight of the section. If using cables, insert spreaders to avoid damage to the busway. If using a forklift, position the busway on the fork to distribute the weight properly. Take care not to damage the metal

Handling (cont.)

housing, which could result in a failure of the busway. Avoid using objects with sharp edges to lift the busway. ***Never drag the busway across the ground. Do not use busbar ends for lifting busway sections or fittings.***

Moisture Protection  
During Storage

If busway is not installed and energized immediately, store it in a clean, dry space having a uniform temperature. Busway should not be stored outdoors. However, if outdoor storage is necessary, cover the busway securely to protect it from weather and contaminants. Temporary electrical heating should be installed beneath the cover to prevent condensation. Use at least 3 watts per cubic foot for the average environment. Heat must be evenly distributed beneath the cover.

## SECTION 4—INSTALLATION

Proper installation of I-LINE II indoor busway is essential to proper busway operation. Follow these guidelines:

- Ambient temperature limits are  $-30^{\circ}\text{C}$  through  $+40^{\circ}\text{C}$ . Verify that temperatures of the operating environment are within this range.
- Provide sufficient horizontal and vertical clearance from walls and ceilings to provide easy access to joints.
- Level and plumb busway (align vertically and horizontally) before the final tightening of all joints.
- Ensure that all joint contact surfaces are free of contaminants.
- Align the busbar ends of adjoining sections, verifying proper busbar alignment, before sliding sections together.
- Use joint assembly tool AT-2 as directed. This tool, packed in a red-and-white striped carton, is included in each order.
- Refer to Square D layout drawings supplied with your project for proper installation sequence.
- Verify that the system phasing matches the busway phasing.
- During installation, pay special attention to riser busways to protect them from moisture from incomplete roofs, walls, and so forth.

Before installing the busway, conduct an insulation resistance test on each busway device to check for possible damage or contamination during shipment or storage. With an insulation resistance tester rated at 1000 volts, ensure phase-to-phase, phase-to-neutral, and ground isolation.



To install indoor busway:

1. Remove the bolts from the two joint tie channels before starting.
2. Orient the busway straight lengths with “TOP” sides facing the same way.
3. With the busway ends in the position shown in figure 1, hook the joint assembly tool in the surge clamp on one busway and insert the rod through the hole in the assembly tool and behind the surge clamp on the opposite busway. Use joint assembly tool, catalog no. AT-2.

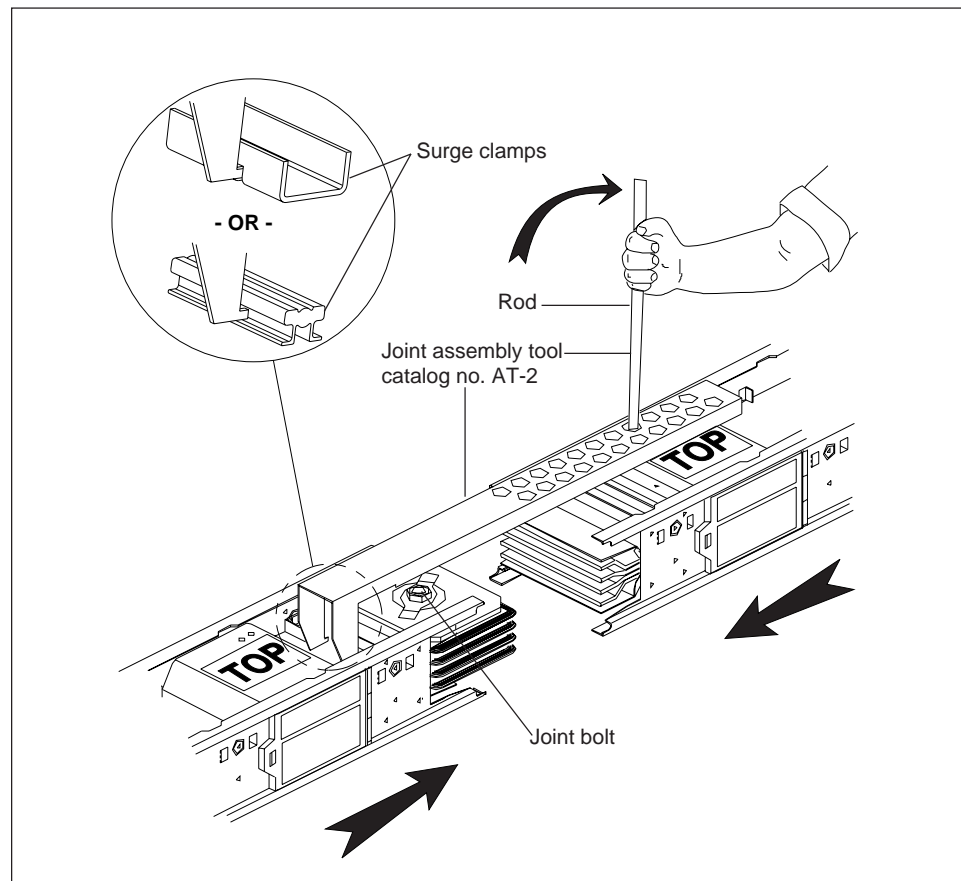
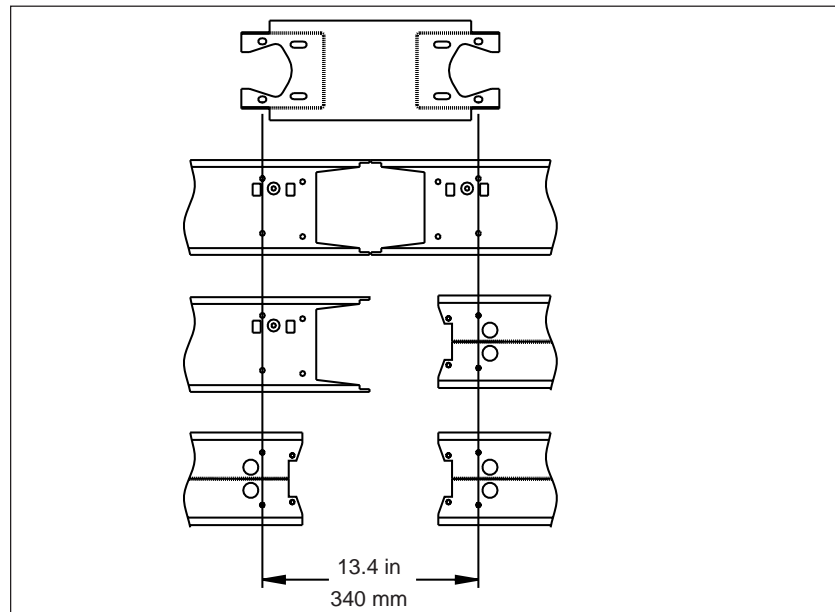


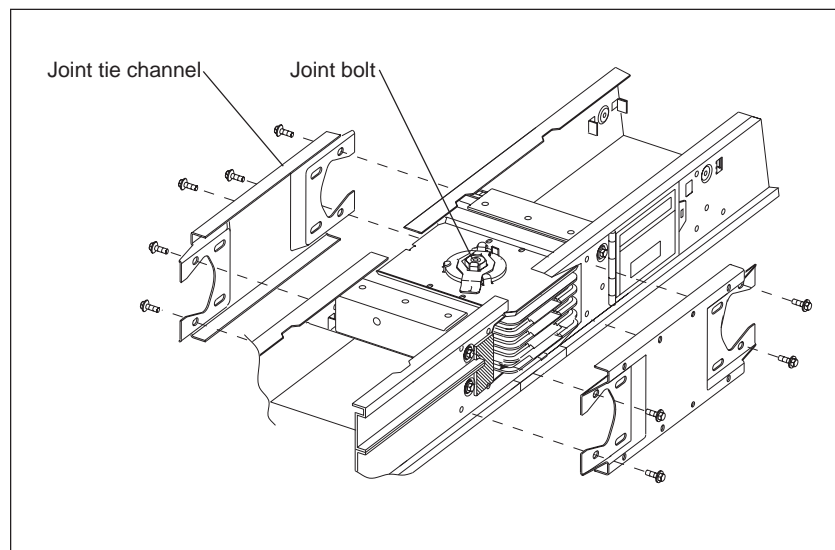
Figure 1: Joint assembly

4. Be sure the busways are aligned properly before attempting to join them. With the rod engaged in the surge clamp, pull to slide the busways together until the busway is spaced as shown in figure 2.



**Figure 2: Spacing for various joint end configurations**

5. Install joint tie channels with supplied bolts as shown in figure 3.



**Figure 3: Installing joint tie channels**

6. Using a wrench with an 18 in (457 mm) or longer handle, tighten the joint bolt(s) (figure 3) until the outer head breaks off. For maintenance or relocation of the busway, torque joint bolts to 70 lb-ft  $\pm$  10 lb-ft (95 N•m  $\pm$  13.5 N•m). Consult NEMA bulletin BU 1.1 for further maintenance instructions.

**NOTE:** Before energizing the busway, refer to **SECTION 5—STEPS TO TAKE BEFORE ENERGIZING, AFTER INSTALLATION.**

Vertical Mounting for  
Fusible Switch Plug-in Units

Correct orientation of the busway is essential for proper mounting of fusible switch plug-in units. The busway must be positioned as shown in Figure 4 so that the “TOP” label is to the right and the neutral position is to the left.

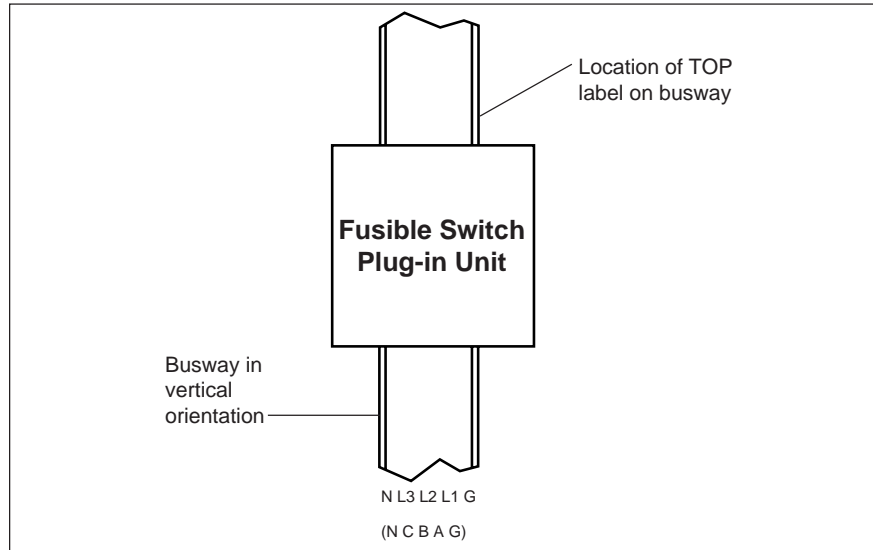


Figure 4: Fusible switch plug-in unit diagram

Fusible switch plug-in units mount on busway in the locations identified in Table 1 so that switch blades open downward to comply with paragraph 380-6 of the National Electric Code.

Table 1: Fusible Switch Plug-in Unit Locations

Fusible Switch Plug-in Unit	Door Hinge Location	Handle Location	
PQ 30	Top	Bottom	(See Note)
PQ 60	Top	Bottom	(See Note)
PQ 100	Top	Bottom	(See Note)
PS 200	Left	Right	
PBQ 400	Bottom	Front	
PBQ 600	Bottom	Front	
PTQ 800	Bottom	Front	
PTQ 1000	Bottom	Front	
PTQ 1200	Bottom	Front	
PTQ 1600	Bottom	Front	

**Note:** PQ30, 60, and 100 ampere fusible switch plug-in units can be mounted on either side of plug-in busway because the switch blades operate perpendicular to the busway. However, the locating hook must engage the notch in the duct top flange, as indicated by the label on the plug-in unit.

## SECTION 5—STEPS TO TAKE BEFORE ENERGIZING, AFTER INSTALLATION

Before energizing the busway, conduct an insulation resistance test on the busway run. With the load and line ends disconnected, and no overcurrent devices installed, use an insulation resistance tester rated at 1000 volts to ensure the system is free from short circuits and grounds (phase-to-phase, phase-to-neutral, and phase-to-ground). The megohm readings should not be less than the value calculated from the following formula. (If readings are less than the value calculated from the formula, contact your local Square D sales office.)

Megohms =  $100 \div$  length of run (in feet)

or

Megohms =  $30.5 \div$  length of run (in meters)

Verify that the system phasing matches the busway phasing before reconnecting to transformers, switchboards, meters, and so forth.

**NOTE:** Log the insulation resistance readings in Table 2, Section 7. Give this manual, along with final insulation resistance readings, to the final user of the busway system.

## SECTION 6—ENERGIZING THE EQUIPMENT

### **DANGER**

#### **HAZARD OF ELECTRIC SHOCK, BURN, OR EXPLOSION**

- Only qualified electrical maintenance personnel should install, operate, service, or maintain this equipment. This document should not be viewed as sufficient for those who are not otherwise qualified to operate, service, or maintain the equipment discussed.
- The successful operation of this equipment depends upon proper handling, installation, operation, and maintenance.

**Failure to follow these instructions will result in death or serious injury.**

When the equipment is energized for the first time, qualified electrical personnel should be present. If short circuits and ground faults caused by damage or poor installation practices have not been detected in the checkout procedure, serious damage can result when the power is turned on.

The busway should have no electrical load on it when it is energized. Because busway typically extends through several rooms and floor levels, ensure that all devices fed from the busway are in the off position.

Energize the equipment in sequence by starting at the source end of the system and working toward the load end. In other words, energize the main devices, then the feeder devices, and then the branch-circuit devices. Turn the devices to the “ON” position with a firm positive motion.

After all overcurrent devices have been turned on, loads such as lighting circuits, contactors, heaters, and motors may be turned on.

Busway, when operating properly, will have a moderate hum. Excessive noise may be an indication of hardware that has not been tightened or of metal parts that have been improperly assembled.

Occurrence of sparking at any point along the busway is not a normal condition. De-energize the busway immediately. Correct the cause of the sparking condition. Then conduct an insulation resistance test according to Section 5 before attempting to energize again.

## SECTION 7—MAINTENANCE

### **DANGER**

#### **HAZARD OF ELECTRIC SHOCK, BURN, OR EXPLOSION**

- Only qualified electrical maintenance personnel should install, operate, service, or maintain this equipment. This document should not be viewed as sufficient for those who are not otherwise qualified to operate, service, or maintain the equipment discussed.
- Turn off power to busway before installing, removing, or working on this equipment.
- Always use a properly rated voltage sensing device to confirm power is off.
- The successful operation of this equipment depends upon proper handling, installation, operation, and maintenance.

**Failure to follow these instructions will result in death or serious injury.**

### **CAUTION**

#### **HAZARD OF EQUIPMENT DAMAGE**

Hydrocarbon spray propellants and hydrocarbon-based sprays or compounds will cause degradation of certain plastics. Before using products to clean, dry, or lubricate busway components during installation or maintenance, contact your local Square D sales office.

**Failure to follow this instruction can result in personal injury or equipment damage.**

Although busway typically does not require much maintenance, inspect the busway once a year or after any severe electrical short circuit or ground fault. Perform the following maintenance procedures:

- Carefully inspect all visible electrical joints and terminals. Verify that bolts and nuts are correctly tightened.

Check torque on joint bolts. If any joint bolt is found to be less than 40 lb-ft (54.5 N•m), contact Square D. Insulators may be damaged due to overheating and re-torquing, which could cause a busway outage.

If joints or terminations are badly discolored, corroded, or pitted, or if they show evidence of having been subjected to high temperatures, the devices must be replaced with new, factory-built devices. Torque joint bolts to 70 lb-ft ± 10 lb-ft (95 N•m ± 13.5 N•m).

**Note:** Protect the busway from dirt, dust, or other material that may settle on the top and block the drain holes. When cleaning, use a brush, vacuum cleaner, or clean, lint-free rag. Do not use a blower or compressed air.

- Check the insulation resistance before re-energizing the busway. Keep a permanent record of resistance readings. If readings decrease appreciably with time, deterioration is occurring. Conduct the insulation resistance test from Section 5.
- Energize equipment following the instructions in Section 6.
- After performing all of the above inspections and necessary repairs, it may be desirable to perform an infrared temperature test on all electrical connections. Do this after the busway is re-energized and reaches a stabilized operating temperature.
- Refer to NEMA bulletin BU 1.1 for additional maintenance instructions.

**Table 2: Insulation Resistance Readings**

DATE:		DATE:		DATE:		DATE:	
DEVICE:		DEVICE:		DEVICE:		DEVICE:	
Phase	MΩ	Phase	MΩ	Phase	MΩ	Phase	MΩ
A—G		A—G		A—G		A—G	
B—G		B—G		B—G		B—G	
C—G		C—G		C—G		C—G	
N—G		N—G		N—G		N—G	
A—B		A—B		A—B		A—B	
A—C		A—C		A—C		A—C	
B—C		B—C		B—C		B—C	
A—N		A—N		A—N		A—N	
B—N		B—N		B—N		B—N	
C—N		C—N		C—N		C—N	

DATE:		DATE:		DATE:		DATE:	
DEVICE:		DEVICE:		DEVICE:		DEVICE:	
Phase	MΩ	Phase	MΩ	Phase	MΩ	Phase	MΩ
A—G		A—G		A—G		A—G	
B—G		B—G		B—G		B—G	
C—G		C—G		C—G		C—G	
N—G		N—G		N—G		N—G	
A—B		A—B		A—B		A—B	
A—C		A—C		A—C		A—C	
B—C		B—C		B—C		B—C	
A—N		A—N		A—N		A—N	
B—N		B—N		B—N		B—N	
C—N		C—N		C—N		C—N	


  

DATE:		DATE:		DATE:		DATE:	
DEVICE:		DEVICE:		DEVICE:		DEVICE:	
Phase	MΩ	Phase	MΩ	Phase	MΩ	Phase	MΩ
A—G		A—G		A—G		A—G	
B—G		B—G		B—G		B—G	
C—G		C—G		C—G		C—G	
N—G		N—G		N—G		N—G	
A—B		A—B		A—B		A—B	
A—C		A—C		A—C		A—C	
B—C		B—C		B—C		B—C	
A—N		A—N		A—N		A—N	
B—N		B—N		B—N		B—N	
C—N		C—N		C—N		C—N	

**Note:** The insulation resistance reading should not be less than  $100 \div \text{length of run (in feet)}$   
or  
 $30.5 \div \text{length of run (in meters)}$ .



Square D Company  
5735 College Corner Road  
Oxford, OH 45056 USA

I-LINE, Square D and  are registered trademarks of Square D.

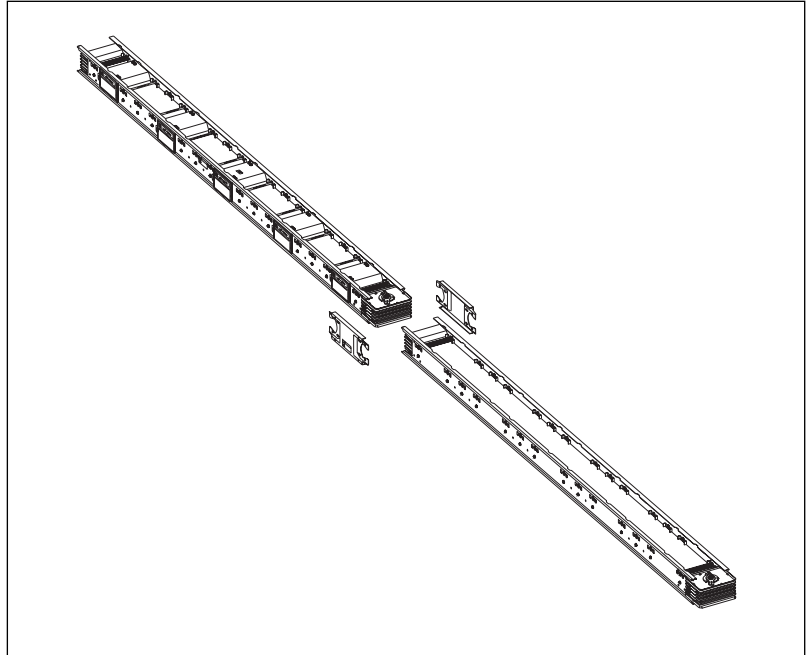
Electrical equipment should be serviced only by qualified electrical maintenance personnel. No responsibility is assumed by Square D for any consequences arising out of the use of this material.

Bulletin No. 45123-961-01\*\* © 1997 Square D All Rights Reserved.

# Boletín de instrucciones

## Electroducto para interiores I-LINE II®

Clase 5615



**SQUARE D**

**CONTENIDO**

1.	INTRODUCCION .....	1
2.	PRECAUCIONES DE SEGURIDAD .....	2
3.	RECIBO, MANEJO Y ALMACENAMIENTO .....	3
	Información general .....	3
	Recibo .....	3
	Manejo .....	3
	Protección contra la humedad durante su almacenamiento .....	4
4.	INSTALACION .....	5
	Montaje vertical de los interruptores fusibles enchufables .....	8
5.	PASOS A SEGUIR ANTES DE ENERGIZAR EL ELECTRODUCTO .....	9
6.	ENERGIZACION DEL EQUIPO .....	10
7.	MANTENIMIENTO .....	11

**Figuras**

1.	Ensamble de unión .....	6
2.	Separación para configuraciones varias de los extremos de unión .....	7
3.	Instalación de los canales de enlace .....	7
4.	Diagrama del interruptor fusible enchufable .....	8

**TABLAS**

1.	Ubicaciones de los interruptores fusibles enchufables .....	8
2.	Lecturas de resistencia de aislamiento .....	13

## SECCION 1—INTRODUCCION

Este manual contiene las instrucciones de manejo, almacenamiento, instalación, funcionamiento y mantenimiento del equipo del electroducto para interiores I-LINE II® fabricado por Square D Company. Tanto los ingenieros como el personal de supervisión, funcionamiento e instalación del comprador del equipo deberán familiarizarse con este manual así como con el aspecto y las características de los componentes del electroducto.

Cada equipo de electroductos I-LINE II se inspecciona y empaca minuciosamente en la planta de montaje. Se verifican su estructura e instalación eléctrica. Después de inspeccionarlo completamente, se prepara para su envío. Cada sección se empaca de tal manera para facilitar su manejo antes de la instalación y se envía claramente marcada con su número de catálogo correspondiente.

*NOTA: Este boletín de instrucciones incluye una hoja de registros (tabla 2, sección 7) para anotar las lecturas de resistencia de aislamiento tomadas antes de energizar el equipo. También se incluye información importante de mantenimiento útil para el usuario final.*

## SECCION 2—PRECAUCIONES DE SEGURIDAD

### PELIGRO

#### **PELIGRO DE DESCARGA ELECTRICA, QUEMADURAS O EXPLOSION**

- Solamente el personal de mantenimiento eléctrico especializado deberá instalar, hacer funcionar, dar servicio o mantener este equipo. Este documento no se debe considerar como información suficiente por aquéllos que no conocen el funcionamiento, servicio o mantenimiento de este equipo.
- Desenergice el electroducto antes de instalar, retirar o realizar cualquier trabajo en el equipo.
- Siempre utilice un dispositivo detector de tensión para confirmar la desenergización del equipo.
- El funcionamiento exitoso del equipo depende del manejo, la instalación, el funcionamiento y el mantenimiento adecuados.

**El incumplimiento de estas precauciones podrá causar la muerte o lesiones serias.**

Siga las instrucciones de seguridad para este equipo y en la etiqueta incluida con este boletín.

## SECCION 3—RECIBO, MANEJO Y ALMACENAMIENTO



### **ADVERTENCIA**

#### **PELIGRO DE DESCARGA ELECTRICA, QUEMADURAS O EXPLOSION**

- Proteja el equipo de contaminantes tales como agua, sales, concreto u otros entornos corrosivos antes y durante su instalación.
- No se sienta, camine o pare sobre el equipo.

**El incumplimiento de estas precauciones puede causar la muerte, lesiones serias o daño al equipo.**

#### Información general

La planificación y coordinación adecuadas entre los contratistas de la calefacción y plomería son muy importantes para lograr una buena disposición del electroducto.

El electroducto siempre deberá tener soporte independiente de tal manera que su peso no descansa sobre la superficie de tableros de distribución o transformadores.

Antes de conectar este producto a cualquier electroducto de Square D existente, póngase en contacto con su representante local de Square D para coordinar la entrega oportuna de los productos.

#### Recibo

Al recibir el equipo, revise la lista de embalaje y compárela con el equipo recibido para asegurarse de que no haya faltantes según la orden de compra y el envío. Cualquier reclamación de faltantes u otros errores se deberá presentar por escrito a Square D dentro de los 30 días de haber recibido el equipo. Si no presenta ninguna reclamación durante estos 30 días, Square D no se hará responsable de reparaciones o sustituciones.

Además, realice una inspección visual de las secciones del electroducto para ver si encuentra algún daño que pudo haber sucedido durante su transporte. Si encuentra algún daño o tiene alguna sospecha de daño, de inmediato presente una reclamación a la compañía de transportes y notifique a su representante local de Square D Company. La entrega del equipo a una compañía de transportes en cualquiera de las plantas de Square D u otro punto de embarque constituye la entrega al comprador, independientemente del pago de transporte, el título de propiedad y todos los riesgos de pérdida o daños se transfieren al comprador en ese momento.

#### Manejo

Maneje el electroducto con cuidado para evitar daños a los componentes del interior, al gabinete o su acabado. Evite la torsión, abolladuras, impactos bruscos y, en general, el manejo violento del electroducto. Asegúrese de que el equipo existente en el sitio de instalación sea adecuado para su manejo. **Verifique la capacidad de elevación de la grúa u otro equipo disponible.**

Manejo (cont.)

Proceda con cuidado al desempacar. Utilice una tijeras para cortar las tiras que sujetan el empaque. Utilice un sacaclavos con las jaulas de madera del embalaje.

Si levanta el electroducto con una grúa, utilice cintas de nailon para distribuir el peso de las secciones. Si utiliza cables, inserte vigas de separación para evitar daño al electroducto. Si utiliza un eslabón de elevación, coloque el electroducto sobre el eslabón para distribuir el peso adecuadamente. Tenga cuidado de no dañar la caja de metal, esto podría hacer fallar el electroducto. Evite el uso de objetos con bordes filosos para levantar el electroducto. ***Nunca arrastre el electroducto por el suelo. No utilice los extremos de una barra de distribución para levantar las secciones del electroducto o sus accesorios de conexión.***

Protección contra la humedad durante su almacenamiento

Si no se instala o energiza el electroducto de inmediato, almacénelo en un lugar limpio y seco con temperatura uniforme. No lo deje a la intemperie. Sin embargo, si hubiese que almacenarlo afuera, cubra el electroducto y sujételo para protegerlo de la intemperie y contaminantes. Se deberá instalar calefacción eléctrica temporal por debajo de la cubierta para evitar condensación. Utilice por lo menos 3 watts por pie cúbico en entornos con temperatura promedio. Se deberá distribuir la calefacción de manera uniforme por debajo de la cubierta.

## SECCION 4—INSTALACION

La instalación adecuada de los electroductos para interiores I-LINE II es esencial para el correcto funcionamiento del electroducto. Siga estas instrucciones:

- Los límites de temperatura ambiente son de  $-30^{\circ}\text{C}$  a  $+40^{\circ}\text{C}$ . Verifique que las temperaturas del entorno de funcionamiento se encuentren dentro de esta gama.
- Proporcione una separación horizontal y vertical suficiente de las paredes y los techos para tener acceso a las uniones.
- Nivele y verifique la alineación vertical y horizontal del electroducto antes de apretar las uniones en su posición final.
- Asegúrese de que las superficies de contacto de las uniones estén libres de contaminantes.
- Alinee los extremos de la barra de distribución de las secciones adyacentes y verifique la alineación correcta de la barra antes de unir las secciones.
- Utilice la herramienta para montaje de uniones AT-2 tal como se indica. Esta herramienta viene incluida con cada orden dentro de un cartón rayado en rojo y blanco.
- Consulte los dibujos de disposición de Square D provistos con su proyecto y siga la secuencia de instalación correcta.
- Verifique que las fases del sistema correspondan con las fases del electroducto.
- Durante su instalación, preste especial atención a los electroductos elevadores para protegerlos de la humedad provocada por techos y paredes incompletas, etc.

Antes de instalar el electroducto, realice una prueba de resistencia de aislamiento en cada dispositivo del electroducto para ver si encuentra daños o contaminación causados durante el envío o almacenamiento. Utilice un probador de resistencia de aislamiento para tensión nominal de 1000 V para asegurar el aislamiento de fase a fase, de fase a neutro y a tierra.



Para instalar el electroducto para interiores:

1. Retire los pernos de los dos canales de enlace de unión antes de empezar.
2. Oriente los tramos rectos del electroducto con la etiqueta "TOP" (parte superior) hacia arriba.
3. Con los extremos del electroducto en la posición mostrada en la figura 1, enganche la herramienta de montaje de unión en la pinza de apoyo en un electroducto e inserte la varilla por el agujero en la herramienta de montaje y detrás de la pinza de apoyo en el electroducto opuesto. Utilice la herramienta para montaje, no. de catálogo AT-2.

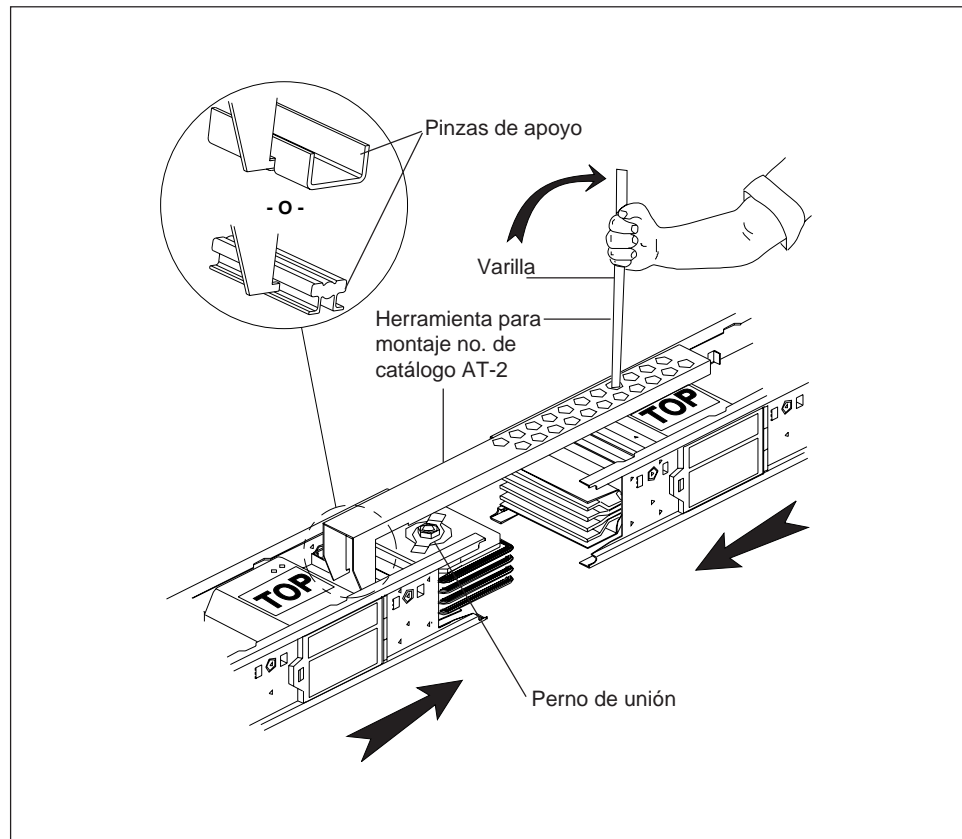


Figura 1: Ensamblaje de unión

4. Asegúrese de que los electroductos estén alineados correctamente antes de intentar unirlos. Con la varilla enganchada en la pinza de apoyo, jale para deslizar y unir los electroductos hasta que se encuentren separados tal como se muestra en la figura 2.

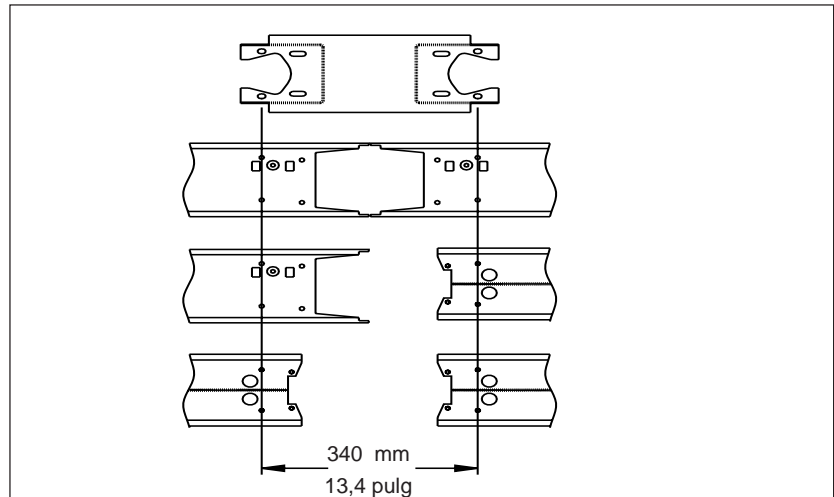


Figura 2: Separación para configuraciones variadas de los extremos de unión

5. Instale los canales de enlace de unión con los pernos provistos tal como se muestra en la figura 3.

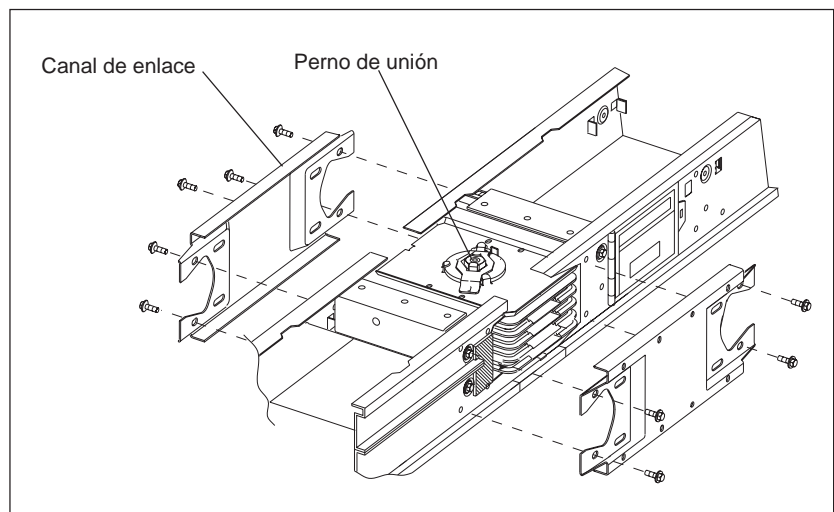


Figura 3: Instalación de los canales de enlace

6. Utilice una llave con una palanca de 45,7 cm (18 pulg) o más larga para apretar los pernos (figura 3) hasta romper la cabeza exterior. Para el mantenimiento o la reubicación del electroducto, apriete los pernos de las uniones a  $95 \text{ N}\cdot\text{m} \pm 13,5 \text{ N}\cdot\text{m}$  (70 lbs-pie  $\pm$  10 lbs-pie). Consulte el boletín de NEMA BU 1.1 para obtener información adicional de mantenimiento.

**NOTA:** Antes de energizar el electroducto, consulte la **SECCION 5—PASOS A SEGUIR ANTES DE ENERGIZAR EL ELECTRODUCTO**

Montaje vertical de los interruptores fusibles enchufables

La orientación correcta del electroducto es esencial para obtener un montaje apropiado de los interruptores fusibles enchufables. El electroducto se deberá colocar como se muestra en la figura 4 de tal manera que la etiqueta "TOP" se encuentre a la derecha y la posición neutra, a la izquierda.

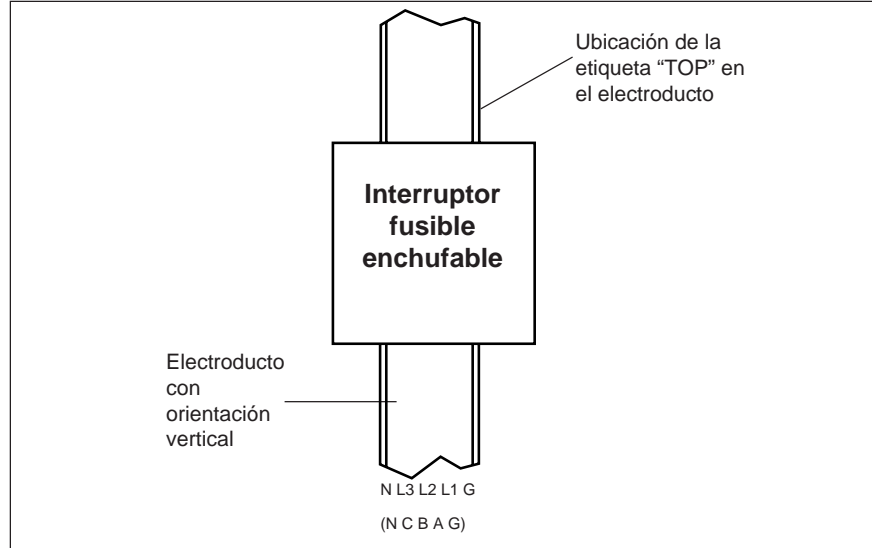


Figura 4: Diagrama del interruptor fusible enchufable

Los interruptores fusibles enchufables se montan en el electroducto en la ubicación identificada en la tabla 1 para que las cuchillas del interruptor se abran hacia abajo en cumplimiento con los requisitos del párrafo 380-6 del Código nacional eléctrico de los Estados Unidos (NEC) o NOM-001 SEMP (MEX).

Tabla 1: Ubicaciones de los interruptores fusibles enchufables

Interruptor fusible enchufable	Ubicación de la bisagra de la puerta	Ubicación de la palanca	
PQ 30	Arriba	Abajo	(Vea Nota)
PQ 60	Arriba	Abajo	(Vea Nota)
PQ 100	Arriba	Abajo	(Vea Nota)
PS 200	Izquierda	Derecha	
PBQ 400	Abajo	Frontal	
PBQ 600	Abajo	Frontal	
PTQ 800	Abajo	Frontal	
PTQ 1000	Abajo	Frontal	
PTQ 1200	Abajo	Frontal	
PTQ 1600	Abajo	Frontal	

**NOTA:** Los interruptores fusibles enchufables PQ30, 60 y 100 A se pueden montar en cualquier lado del electroducto enchufable ya que las cuchillas del interruptor funcionan de forma perpendicular al electroducto. Sin embargo, el gancho de colocación debe encajar a la muesca del borde superior del electroducto, tal como se indica en la etiqueta de la unidad enchufable.

## SECCION 5—PASOS A SEGUIR ANTES DE ENERGIZAR EL ELECTRODUCTO

Antes de energizar el electroducto, realice una prueba de resistencia de aislamiento al tendido del electroducto. Con los lados de carga y línea desconectados, y sin dispositivos de sobrecorriente instalados, utilice un probador de resistencia de aislamiento para tensión nominal de 1000 V para asegurarse de que el sistema esté libre de cortocircuitos y tierras (de fase a fase, de fase a neutro y de fase a tierra). Las lecturas del megóhmetro no deberán ser inferiores a los valores calculados de la siguiente fórmula (si los valores son inferiores a los valores calculados, comuníquese con su oficina local de ventas de Square D).

$$\text{Megohms} = 100 \div \text{longitud de tendido (en pies)}$$

$$\text{Megohms} = 30,5 \div \text{longitud de tendido (en metros)}$$

Verifique que las fases del sistema coincidan con las fases del electroducto antes de volver a conectar a los transformadores, tableros de distribución, medidores, etc.

**NOTA:** *Anote las lecturas de resistencia de aislamiento en la tabla 2, sección 7 de este manual. Entregue este manual, junto con las últimas lecturas de resistencia de aislamiento, al usuario final del sistema del electroducto.*

## SECCION 6—ENERGIZACION DEL EQUIPO

### PELIGRO

#### **PELIGRO DE DESCARGA ELECTRICA, QUEMADURAS O EXPLOSION**

- Solamente el personal de mantenimiento eléctrico especializado deberá instalar, hacer funcionar, dar servicio o mantener este equipo. Este documento no se debe considerar como información suficiente por aquéllos que no conocen el funcionamiento, servicio o mantenimiento de este equipo.
- El funcionamiento exitoso del equipo depende del manejo, la instalación, el funcionamiento y el mantenimiento adecuados.

**El incumplimiento de estas precauciones podrá causar la muerte o lesiones serias.**

Cuando se energiza el equipo por primera vez, deberá estar presente el personal eléctrico especializado. Si durante el procedimiento de comprobación no se han detectado cortocircuitos y fallas a tierras causados por daños o procedimientos indebidos de instalación, estos pueden causar daños serios cuando se energice el equipo.

No deberá haber cargas eléctricas en el electroducto cuando se energice. Debido a que el electroducto típicamente ocupa varias salas y niveles de piso, asegúrese de que todos los dispositivos que se alimentan del electroducto estén apagados.

Energice el equipo en secuencia comenzando con el extremo de la fuente del sistema y hacia el extremo de carga. En otras palabras, energice los dispositivos principales, luego los alimentadores y a continuación, los circuitos derivados. Encienda los dispositivos con un movimiento positivo y firme.

Después de encender todos los dispositivos de sobrecorriente, entonces se podrán encender las cargas tales como los circuitos de alumbrado, contactores, calentadores y motores.

El electroducto (cuando funciona correctamente) zumbará moderadamente. El ruido excesivo puede ser una indicación de tornillería mal apretada o de piezas de metal incorrectamente montadas.

No es normal que se produzcan chispas en el electroducto. Desenergícelo de inmediato. Corrija la causa de las chispas; luego realice una prueba de resistencia de aislamiento de acuerdo con los procedimientos descritos en la sección 5 antes de volver a energizar.

## SECCION 7—MANTENIMIENTO

### **PELIGRO**

#### **PELIGRO DE DESCARGA ELECTRICA, QUEMADURAS O EXPLOSION**

- Solamente el personal de mantenimiento eléctrico especializado deberá instalar, hacer funcionar, dar servicio o mantener este equipo. Este documento no se debe considerar como información suficiente por aquéllos que no conocen el funcionamiento, servicio o mantenimiento de este equipo.
- Desenergice el electroducto antes de instalar, retirar o realizar cualquier trabajo en el equipo.
- Siempre utilice un dispositivo detector de tensión para confirmar la desenergización del equipo.
- El funcionamiento exitoso del equipo depende del manejo, la instalación, el funcionamiento y el mantenimiento adecuados.

**El incumplimiento de estas precauciones podrá causar la muerte o lesiones serias.**

### **PRECAUCION**

#### **PELIGRO DE DAÑO AL EQUIPO**

Propileno en aerosol de hidrocarburos así como los aerosoles o compuestos de hidrocarburos causarán la degradación de algunos plásticos. Antes de utilizar cualquier producto para limpiar, secar o lubricar los componentes durante la instalación o el mantenimiento, póngase en contacto con su oficina local de ventas de Square D.

**El incumplimiento de esta instrucción podrá causar lesiones serias o daño al equipo.**

Aunque el electroducto típicamente no necesita mucho mantenimiento, realice una inspección visual una vez al año o después de un cortocircuito eléctrico severo o falla a tierra. Realice los siguientes procedimientos de mantenimiento:

- Minuciosamente realice una inspección visual de todas las uniones eléctricas y terminales. Verifique que los tornillos y las tuercas estén correctamente apretados.

Verifique el apriete de los pernos de unión. Si algún perno tiene un par de apriete inferior a 54,23 N•m (40 lbs-pie), comuníquese con Square D. Es posible que los aisladores estén dañados debido a sobrecalentamientos y nuevo apriete, lo cual causaría una falta de corriente al electroducto.

Mantenimiento  
(cont.)

Si las uniones o las terminaciones presentan una coloración anormal, o se ven corroídas o picadas, o si muestran evidencia de haber sido sometidas a altas temperaturas, se deberán sustituir los dispositivos con unos nuevos contruidos en la fábrica. Apriete los pernos de unión a  $94,91 \text{ N}\cdot\text{m} \pm 13,56 \text{ N}\cdot\text{m}$  (70 lbs-pie  $\pm$  10 lbs-pie).

**NOTA:** Proteja el electroducto contra la suciedad, polvo u otros materiales que pudieran depositarse en la parte superior y bloquear los agujeros de drenaje. Cuando lo limpie, utilice un cepillo, aspiradora o un trapo sin peluzas. No utilice un soplador o aire comprimido.

- Revise la resistencia de aislamiento antes de volver a energizar el electroducto. Mantenga un registro permanente de las lecturas de resistencia. Si las lecturas disminuyen considerablemente con el transcurso del tiempo, esto es una indicación de deterioro. Realice la prueba de resistencia de aislamiento de la sección 5.
- Energice el equipo siguiendo las instrucciones en la sección 6.
- Después de realizar todas las inspecciones anteriores y reparaciones necesarias, tal vez desee llevar a cabo una prueba de temperatura con equipo infrarrojo en todas las conexiones eléctricas. Realice esto después de volver a energizar el electroducto y después de haber alcanzado una temperatura de funcionamiento estable.
- Consulte el boletín de NEMA BU 1.1 para obtener instrucciones adicionales de mantenimiento.

**Tabla 2: Lecturas de resistencia de aislamiento**

FECHA: DISPOSITIVO:		FECHA: DISPOSITIVO:		FECHA: DISPOSITIVO:		FECHA: DISPOSITIVO:	
Fase	MΩ	Fase	MΩ	Fase	MΩ	Fase	MΩ
A—G		A—G		A—G		A—G	
B—G		B—G		B—G		B—G	
C—G		C—G		C—G		C—G	
N—G		N—G		N—G		N—G	
A—B		A—B		A—B		A—B	
A—C		A—C		A—C		A—C	
B—C		B—C		B—C		B—C	
A—N		A—N		A—N		A—N	
B—N		B—N		B—N		B—N	
C—N		C—N		C—N		C—N	

FECHA: DISPOSITIVO:		FECHA: DISPOSITIVO:		FECHA: DISPOSITIVO:		FECHA: DISPOSITIVO:	
Fase	MΩ	Fase	MΩ	Fase	MΩ	Fase	MΩ
A—G		A—G		A—G		A—G	
B—G		B—G		B—G		B—G	
C—G		C—G		C—G		C—G	
N—G		N—G		N—G		N—G	
A—B		A—B		A—B		A—B	
A—C		A—C		A—C		A—C	
B—C		B—C		B—C		B—C	
A—N		A—N		A—N		A—N	
B—N		B—N		B—N		B—N	
C—N		C—N		C—N		C—N	


FECHA: DISPOSITIVO:		FECHA: DISPOSITIVO:		FECHA: DISPOSITIVO:		FECHA: DISPOSITIVO:	
Fase	MΩ	Fase	MΩ	Fase	MΩ	Fase	MΩ
A—G		A—G		A—G		A—G	
B—G		B—G		B—G		B—G	
C—G		C—G		C—G		C—G	
N—G		N—G		N—G		N—G	
A—B		A—B		A—B		A—B	
A—C		A—C		A—C		A—C	
B—C		B—C		B—C		B—C	
A—N		A—N		A—N		A—N	
B—N		B—N		B—N		B—N	
C—N		C—N		C—N		C—N	

**NOTA:** La lectura de resistencia de aislamiento no deberá ser inferior a  
 $100 \div$  la longitud del tendido (en pies)  
 o  
 $30,5 \div$  la longitud del tendido (en metros).



Importado en México por:

SchneiderElectricMéxico,S.A.deC.V.  
Calz. J. Rojo Gómez 1121  
Col.Gpe.deMoral09300México,D.F.  
Tel. 686-30-00

I-LINE, Square D y  son marcas registradas de Square D.

Solamente el personal de mantenimiento eléctrico especializado deberá prestar servicios de mantenimiento al equipo eléctrico. Schneider S.A. no asume responsabilidad alguna por las consecuencias emergentes de la utilización de este material.

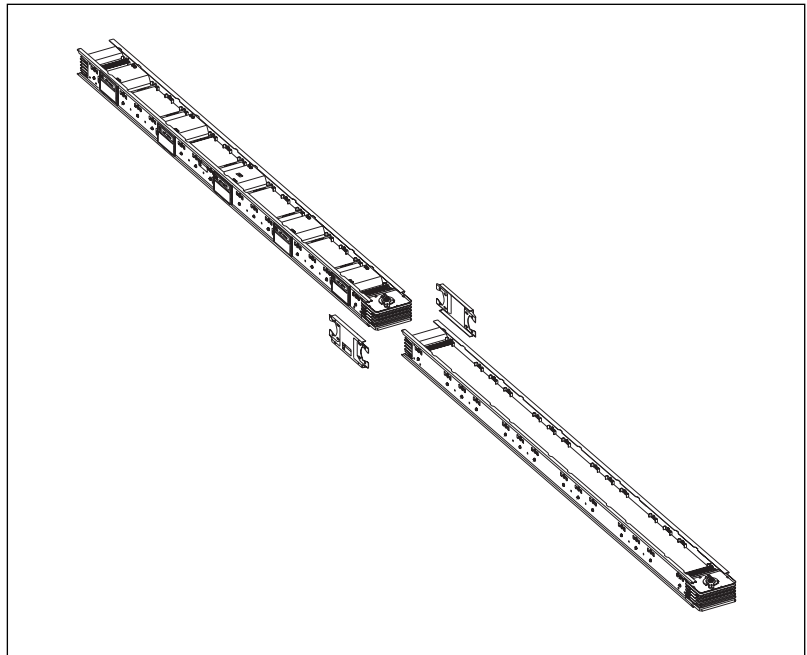
Square D  
5735 College Corner Road  
Oxford, OH 45056 USA

45123-961-01\*\* © 1997 Square D Reservados todos los derechos.

# Directives d'utilisation

## Canalisation préfabriquée pour intérieur I-LINE® II

Classe 5615



SQUARE D

**TABLE DES MATIÈRES**

1.	INTRODUCTION .....	1
2.	MESURES DE SÉCURITÉ .....	2
3.	RÉCEPTION, MANUTENTION ET STOCKAGE .....	3
	Généralités .....	3
	Réception .....	3
	Manutention .....	4
	Protection contre l'humidité pendant le stockage .....	4
4.	INSTALLATION .....	5
	Installation verticale .....	8
5.	ÉTAPES À SUIVRE AVANT L'ACTIVATION .....	9
6.	ACTIVATION DE L'APPAREIL .....	10
7.	ENTRETIEN .....	11

**FIGURE**

1.	Assemblage de jonctions .....	6
2.	Espacement des diverses configurations d'extrémités de jonction .....	7
3.	Installation des profilés d'attaches de jonction .....	7
4.	Schéma de l'interrupteur à fusibles enfichable .....	8

**TABLEAU**

1.	Emplacements des interrupteurs à fusibles enfichables .....	8
2.	Lectures de la résistance d'isolation .....	13

## SECTION 1—INTRODUCTION

Ce manuel contient les directives de manutention, de stockage, d'installation, de fonctionnement et d'entretien des canalisations préfabriquées pour intérieur I-LINE® II, fabriquées par la société Square D. Les superviseurs du personnel d'ingénierie, d'installation et d'utilisation de l'acheteur doivent prendre connaissance de ce manuel et connaître l'apparence et les caractéristiques de chaque pièce de cette canalisation préfabriquée.

Chaque dispositif de la canalisation préfabriquée I-LINE II est soigneusement inspecté et emballé à l'usine. La construction est vérifiée, tant du point de vue structure que du point de vue électrique. Après une complète inspection, la canalisation préfabriquée est préparée pour le transport. Chaque section est emballée afin de faciliter la manutention avant l'installation. Le numéro de catalogue est indiqué visiblement sur chaque section d'expédition.

**REMARQUE :** *Ce bulletin de directives contient un journal (tableau 2, paragraphe 7). Veuillez y inscrire les lectures de résistance d'isolation finales avant la mise sous tension ainsi que les informations d'entretien importantes qui doivent être envoyées à l'utilisateur.*

## SECTION 2—MESURES DE SÉCURITÉ

### **DANGER**

#### **RISQUE D'ÉLECTROCUTION, DE BRÛLURES OU D'EXPLOSION**

- L'installation, le fonctionnement, la réparation ou l'entretien du matériel électrique ne doivent être effectués que par du personnel qualifié. Les directives contenues dans ce document sont insuffisantes pour permettre aux personnes qui n'ont pas les compétences nécessaires d'opérer, de réparer ou d'entretenir ce matériel.
- Coupez l'alimentation à la canalisation préfabriquée avant d'installer, de démonter ou d'effectuer tous travaux sur cet appareil.
- Utilisez toujours un dispositif de détection de tension à valeur nominale appropriée pour confirmer que l'appareil soit hors tension.
- Le bon fonctionnement de cet appareil dépend de la manipulation, de l'installation, du fonctionnement et de l'entretien appropriés.

**Si ces précautions ne sont pas respectées, cela entraînera la mort ou des blessures graves.**

Suivre les directives inscrites sur l'étiquette de sécurité de cet appareil et à l'intérieur des présentes directives.

## SECTION 3—RÉCEPTION, MANUTENTION ET STOCKAGE



### **AVERTISSEMENT**

#### **RISQUE D'ÉLECTROCUTION, DE BRÛLURES OU D'EXPLOSION**

- Protégez cet appareil des produits contaminants tels que l'eau, les sels, le ciment et autres environnements corrosifs avant, pendant et après l'installation.
- Ne vous asseyez pas, ne marchez pas et ne montez pas sur cet appareil.

**Si ces précautions ne sont pas respectées, cela peut entraîner la mort, des blessures graves ou des dommages matériels.**

#### Généralités

Il est important d'organiser une coordination et une planification correctes entre les métiers, professions, entrepreneurs de chauffage et de plomberie, afin d'accomplir une bonne pose de la canalisation préfabriquée.

À tout moment, la canalisation préfabriquée doit être soutenue indépendamment de façon que son poids ne repose pas sur des tableaux de distribution ou des transformateurs.

Avant de connecter ce produit à une autre canalisation préfabriquée Square D existante, consulter le représentant Square D local au sujet de la coordination adéquate des produits.

#### Réception

À la réception, comparer la liste de l'emballage avec l'appareil reçu afin de vérifier si la commande et l'envoi sont complets. Réclamer les pièces manquantes ou autres erreurs à Square D par écrit dans les 30 jours qui suivent la date de réception de l'envoi. Si la réclamation n'est pas faite dans un délai de 30 jours à partir de la date de réception, Square D ne sera responsable ni pour la réparation ni pour le remplacement.

Inspecter également, immédiatement après la réception, les sections de la canalisation préfabriquée pour repérer les dommages pouvant avoir eu lieu pendant le transport. En cas de dommages, ou suspicion de dommages, soumettre une réclamation auprès du transporteur immédiatement et notifier le représentant Square D le plus proche. La livraison de l'appareil à un transporteur, à l'une des usines Square D ou autre lieu d'expédition, constitue la livraison à l'acheteur et, quelque soit le mode de paiement au transporteur, le titre et tous les risques de perte ou de dommages, passe à l'acheteur, à ce moment.

## Manutention

Toute manutention de la canalisation préfabriquée doit être effectuée avec soin afin d'éviter d'endommager les composantes internes, l'enveloppe ou son fini. Éviter de tordre ou de cabosser la canalisation préfabriquée, d'entrer en collision avec et, d'une façon générale, toute manipulation brutale. S'assurer que l'appareil du site d'installation est adéquat pour manipuler la canalisation préfabriquée. **Vérifier les capacités de levage de la grue ou autre appareil disponible.**

Déballer avec soin. Couper les bandes métalliques de retenue de l'emballage avec des coupeurs adéquats. Utiliser un tire-clous pour déballer les caisses en bois.

Pour le levage de la canalisation préfabriquée à l'aide d'une grue, utiliser des lanières de nylon afin de répartir le poids de cette section. En cas d'utilisation de câbles, insérer des entretoises afin d'éviter d'endommager la canalisation préfabriquée. En cas d'utilisation d'une fourche de levage, positionner la canalisation préfabriquée sur la fourche de telle façon que le poids soit réparti correctement. Faire attention de ne pas endommager l'enveloppe métallique, ce qui pourrait provoquer une panne de la canalisation préfabriquée. Pour lever la canalisation préfabriquée, éviter d'utiliser des objets aux bords coupants. **Ne jamais tirer la canalisation préfabriquée sur le sol. Ne pas utiliser les extrémités des barres-bus pour lever des sections ou des joints de la canalisation préfabriquée.**

## Protection contre l'humidité pendant le stockage

Si la canalisation préfabriquée n'est pas immédiatement installée et mise sous tension, la ranger dans un espace propre et sec ayant une température uniforme. La canalisation préfabriquée ne doit pas être stockée à l'extérieur. Toutefois, si le stockage à l'extérieur est nécessaire, couvrir complètement la canalisation préfabriquée afin qu'elle soit protégée des intempéries et des polluants. Un chauffage électrique temporaire doit être installé sous la couverture de protection afin d'éviter la condensation. Utiliser au minimum 3 Watts par pied cube dans les environnements moyens. La chaleur doit être répartie uniformément sous la couverture de protection.

## SECTION 4—INSTALLATION

L'installation correcte de la canalisation préfabriquée pour intérieur I-LINE II est essentielle à son bon fonctionnement. Suivre ces directives :

- Les limites de température ambiante sont : -30°C à +40°C. Vérifier si les températures de l'environnement de fonctionnement sont comprises dans cet écart.
- La neige peut s'accumuler et forcer l'eau à pénétrer dans la canalisation préfabriquée par les ouvertures d'aération. Surélever suffisamment la canalisation au-dessus du sol ou du toit afin que la neige ne puisse pas s'accumuler.
- Laisser un dégagement horizontal et vertical suffisant des murs et plafonds afin de faciliter l'accès aux joints.
- Mettre la canalisation préfabriquée à niveau et d'aplomb (aligner verticalement et horizontalement) avant le serrage définitif des joints.
- S'assurer que toutes les surfaces de contacts de joints sont libres de tous polluants.
- Aligner les extrémités des barres-bus des sections adjacentes, tout en vérifiant l'alignement correct des barres-bus, avant de joindre les sections par glissement.
- Utiliser l'outil d'assemblage de joint AT-2 comme indiqué. Cet outil, emballé dans un carton rayé rouge et blanc, est inclus dans chaque commande.
- Se reporter aux schémas de pose Square D fournis avec le projet pour connaître la bonne séquence d'installation.
- Vérifier si le phasage du système correspond au phasage de la canalisation préfabriquée.
- Pendant l'installation faire particulièrement attention aux élévations des canalisations et les protéger de l'humidité provoquée par des toits, murs incomplets ou autres.

Avant d'installer la canalisation préfabriquée, effectuer un essai de résistance d'isolation sur chaque dispositif de la canalisation pour rechercher d'éventuels dommages ou pollutions ayant eu lieu pendant le transport ou le stockage. À l'aide d'un vérificateur de résistance d'isolation à valeur nominale de 1 000 V, s'assurer de l'isolation phase-à-phase, phase-à-neutre et de mise à la terre.



Pour installer une canalisation pour intérieur :

1. Retirer les boulons des deux profilés d'attaches de jonction avant de commencer.
2. Orienter les longueurs droites de canalisation, le «HAUT» (TOP) placé dans la même direction.
3. Les extrémités de la canalisation étant placées comme indiqué à la figure 1, accrocher l'outil d'assemblage de jonction dans le crampon de surcharge sur l'une des canalisations et insérer la tige dans le trou de l'outil d'assemblage, à l'arrière du crampon de surcharge, sur l'autre canalisation. Utiliser l'outil d'assemblage, numéro de catalogue AT-2.

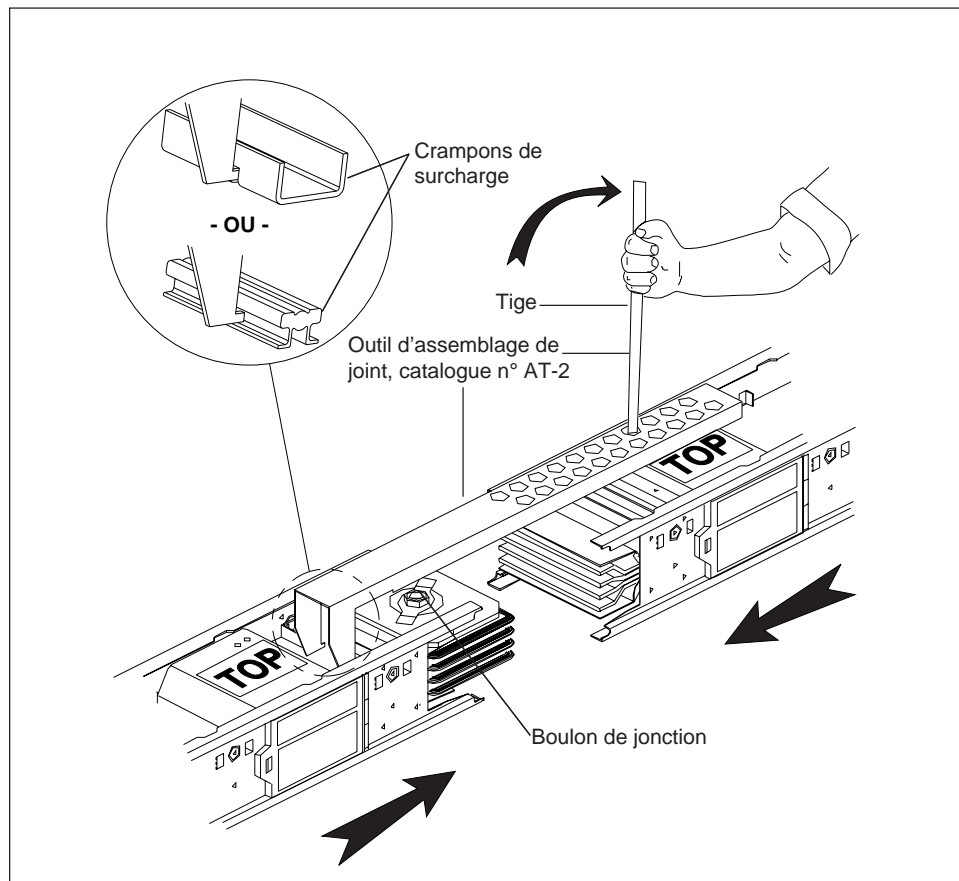


Figure 1 : Assemblage de jonctions

4. S'assurer que les canalisations sont alignées correctement avant de tenter de les réunir. La tige étant engagée dans le crampon de surcharge, tirer les canalisations pour les faire glisser l'une vers l'autre jusqu'à ce que la canalisation soit espacée comme indiquée à la figure 2.

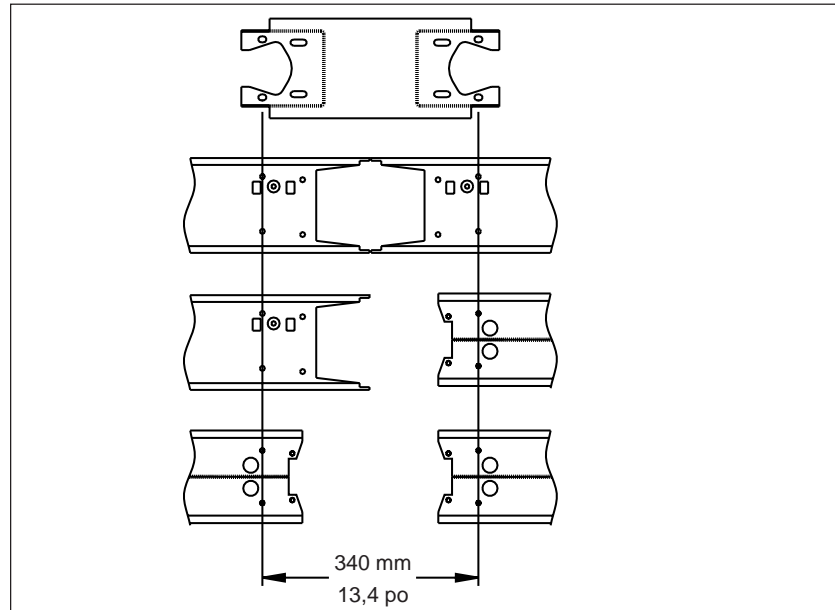


Figure 2 : Espacement des diverses configurations d'extrémités de jonction

5. Installer les profilés d'attache de jonction à l'aide des boulons fournis, comme indiqué à la figure 3.

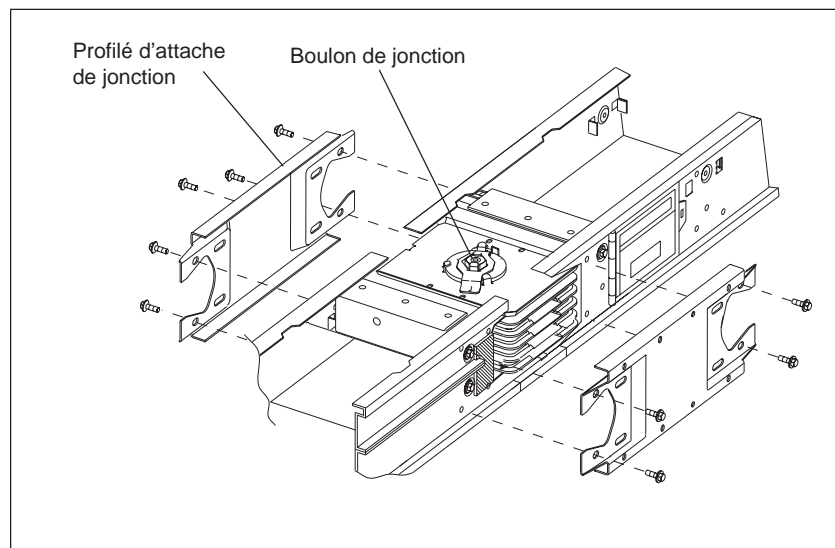


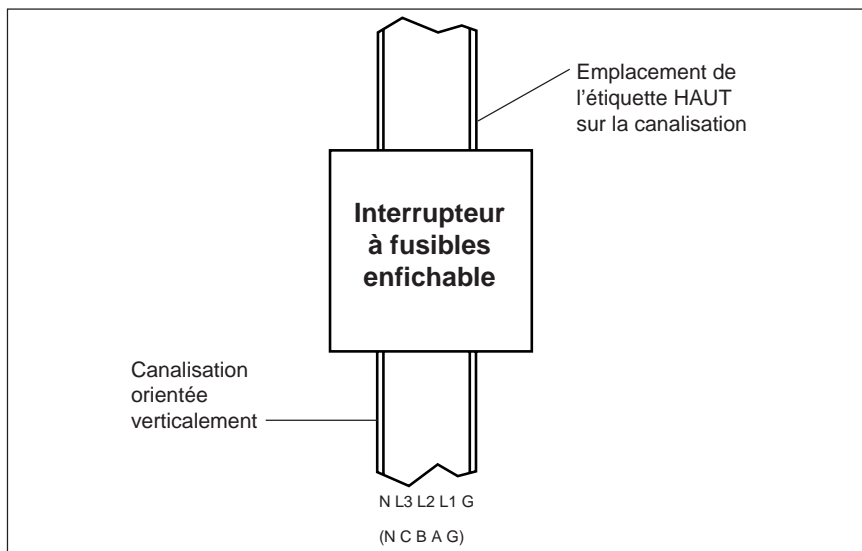
Figure 3 : Installation des profilés d'attaches de jonction

6. À l'aide d'une clé ayant un manche d'au moins 45,7 cm (18 po), serrer le(s) boulon(s) de jonction (figure 3) jusqu'à ce que la tête extérieure se brise. Pour l'entretien ou le déplacement de la canalisation, serrer les boulons à un couple de  $95 \text{ N} \cdot \text{m} \pm 13,5 \text{ N} \cdot \text{m}$  ( $70 \text{ lb} \cdot \text{pi} \pm 10 \text{ lb} \cdot \text{pi}$ ). Consulter le bulletin NEMA BU 1.1. pour obtenir des directives d'entretien supplémentaires.

REMARQUE : Avant de mettre la canalisation sous tension, se reporter à la **SECTION 5—ÉTAPES À SUIVRE AVANT L'ACTIVATION**.

Montage vertical des interrupteurs à fusibles enfichables

L'orientation correcte de la canalisation est essentielle au bon montage des interrupteurs à fusibles enfichables. La canalisation doit être placée comme indiqué à la figure 4, de façon que l'étiquette «HAUT» soit à droite et la position neutre à gauche.



**Figure 4 : Schéma de l'interrupteur à fusibles enfichable**

Les interrupteurs à fusibles enfichables se montent sur la canalisation aux emplacements identifiés au tableau 1, de façon à ce que les lames de l'interrupteur s'ouvrent vers le bas, conformément au paragraphe 380-6 du Code national de l'électricité.

**Tableau 1 : Emplacements des interrupteurs à fusibles enfichables**

Interrupteurs à fusibles enfichables	Emplacement de la charnière de porte	Emplacement de la manette	
PQ 30	En haut	En bas	(Voir la remarque)
PQ 60	En haut	En bas	(Voir la remarque)
PQ 100	En haut	En bas	(Voir la remarque)
PS 200	À gauche	À droite	
PBQ 400	En bas	En avant	
PBQ 600	En bas	En avant	
PTQ 800	En bas	En avant	
PTQ 1000	En bas	En avant	
PTQ 1200	En bas	En avant	
PTQ 1600	En bas	En avant	

**Remarque :** Les interrupteurs à fusibles enfichables PQ30, 60 et 100 A peuvent être montés sur l'un ou l'autre des côtés de la canalisation enfichable parce que les lames de l'interrupteur fonctionnent perpendiculairement à la canalisation. Cependant, le crochet d'emplacement doit engager l'encoche dans le rebord supérieur de la conduite, comme indiqué sur l'étiquette de l'unité enfichable.

## SECTION 5—ÉTAPES À SUIVRE AVANT L'ACTIVATION

Avant d'activer la canalisation préfabriquée, procéder à un essai de résistance d'isolation sur la canalisation préfabriquée. Les extrémités de charge et de ligne étant déconnectées, et sans aucun dispositif de surintensité installé, utiliser un vérificateur de résistance d'isolation à valeur nominale de 1 000 V pour vous assurer que le système est libre de courts-circuits et de mises à la terre (phase-à-phase, phase-à-neutre et phase-à-terre). Les lectures en mégohms ne doivent pas être inférieures à la valeur calculée par cette formule (Si les lectures sont inférieures à la valeur calculée par cette formule, contacter le bureau local des ventes de Square D) :

Mégohms =  $100 \div$  longueur (en pieds)

ou

Mégohms =  $30,5 \div$  longueur (en mètres)

Vérifier si le phasage du système correspond au phasage de la canalisation préfabriquée avant de reconnecter toutes les connexions aux transformateurs, commutateurs, indicateurs et autres.

**REMARQUE :** *Inscrire les lectures de résistance d'isolation dans le tableau 2, paragraphe 7 de ce bulletin. Donner ce bulletin avec les lectures de résistance finales à l'utilisateur final du système.*

## SECTION 6—ACTIVATION DE L'APPAREIL

### **DANGER**

#### **RISQUE D'ÉLECTROCUTION, DE BRÛLURES OU D'EXPLOSION**

- L'installation, le fonctionnement, la réparation ou l'entretien du matériel électrique ne doivent être effectués que par du personnel qualifié. Les directives contenues dans ce document sont insuffisantes pour permettre aux personnes qui n'ont pas les compétences nécessaires d'opérer, de réparer ou d'entretenir ce matériel.
- Le bon fonctionnement de cet appareil dépend de la manipulation, de l'installation, du fonctionnement et de l'entretien appropriés.

**Si ces précautions ne sont pas respectées, cela entraînera la mort ou des blessures graves.**

Des électriciens qualifiés doivent être présents lors du démarrage initial de l'appareil. Si les erreurs de courts-circuits ou de mise à la terre provoquées par des dommages ou par une mauvaise installation ne sont pas détectées au cours de la procédure de vérification, des dommages matériels sérieux peuvent survenir lors de la mise sous tension.

La canalisation préfabriquée ne doit avoir aucune charge électrique au moment du démarrage. Puisque la canalisation préfabriquée s'étend typiquement à travers plusieurs pièces et plusieurs niveaux, s'assurer que tous les dispositifs alimentés par la canalisation préfabriquée sont en position d'arrêt.

Mettre l'appareil sous tension par étapes, en commençant à l'extrémité source du système, puis en procédant jusqu'à l'autre extrémité. Autrement dit, activer les dispositifs principaux, puis les dispositifs d'alimentation, enfin les dispositifs branchés sur le circuit d'artère. Mettre les dispositifs à la position «MARCHE» d'un mouvement ferme et sûr.

Après la mise en marche de tous les dispositifs de surintensité, les charges telles que les circuits d'éclairage, les contacteurs, les chaufferettes, puis les moteurs peuvent être mis en marche.

En bon fonctionnement, la canalisation préfabriquée produit un bourdonnement modéré. Un bruit excessif peut être l'indication d'un mauvais serrage d'une pièce de matériel ou d'un mauvais assemblage de pièces métalliques.

La présence d'étincelles à un point quelconque de la canalisation préfabriquée indique une condition anormale. Désactiver la canalisation préfabriquée immédiatement. Corriger la cause des étincelles, puis effectuer un essai de résistance d'isolation selon le paragraphe 5 avant de tenter de remettre sous tension.

## SECTION 7—ENTRETIEN

### **DANGER**

#### **RISQUE D'ÉLECTROCUTION, DE BRÛLURES OU D'EXPLOSION**

- L'installation, le fonctionnement, la réparation ou l'entretien du matériel électrique ne doivent être effectués que par du personnel qualifié. Les directives contenues dans ce document sont insuffisantes pour permettre aux personnes qui n'ont pas les compétences nécessaires d'opérer, de réparer ou d'entretenir ce matériel.
- Coupez l'alimentation à la canalisation préfabriquée avant d'installer, de démonter ou d'effectuer tous travaux sur cet appareil.
- Utilisez toujours un dispositif de détection de tension à valeur nominale appropriée pour confirmer que l'appareil soit hors tension.
- Le bon fonctionnement de cet appareil dépend de la manipulation, de l'installation, du fonctionnement et de l'entretien appropriés.

**Si ces précautions ne sont pas respectées, cela entraînera la mort ou des blessures graves.**

### **ATTENTION**

#### **RISQUES DE DOMMAGES MATÉRIELS**

Des propulseurs de pulvérisation d'hydrocarbures et des vaporisations ou composés à base d'hydrocarbures provoquent la dégradation de certains plastiques. Avant d'utiliser des produits pour nettoyer, sécher ou lubrifier des composants au cours de l'installation ou de l'entretien, contactez le bureau des ventes local de Square D.

**Si cette précaution n'est pas respectée, cela peut entraîner des blessures graves ou des dommages matériels.**

Bien que normalement la canalisation préfabriquée n'exige que peu d'entretien, il faut l'inspecter une fois par an ou après un court-circuit sérieux ou après un défaut de mise à la terre. Effectuer les procédures d'entretien suivantes :

- Inspecter soigneusement toutes les jonctions et les raccords électriques visibles. Vérifier que les boulons et les écrous soient serrés correctement.

Vérifier le couple des boulons sur les jonctions. Si un boulon de jonction est serré à un couple inférieur à 54,23 N•m (40 lb-pi), contacter Square D. Les isolateurs peuvent être défectueux par suite de surchauffe et de re-couplage, ce qui peut provoquer une panne de la canalisation préfabriquée.

## Entretien (suite)

Si des jonctions ou des raccords sont décolorés, corrodés ou troués de façon notable, ou s'ils présentent des dégradations provenant de l'exposition à de hautes températures, les dispositifs doivent être remplacés par des dispositifs neufs, fabriqués en usine. Serrer les boulons à  $94,91 \text{ N}\cdot\text{m} \pm 13,56 \text{ N}\cdot\text{m}$  ( $70 \text{ lb}\cdot\text{pi} \pm 10 \text{ lb}\cdot\text{pi}$ ).

**Remarque** : Protéger la canalisation préfabriquée des saletés, de la poussière ou autres matériaux pouvant s'accumuler sur le dessus et bloquer les trous de vidange. Pour le nettoyage, utiliser une brosse, un aspirateur ou un chiffon propre non pelucheux. Ne pas utiliser ni un ventilateur ni de l'air comprimé.

- Vérifier la résistance d'isolation avant de réactiver la canalisation préfabriquée. Conserver un rapport permanent des lectures de résistance. Si les lectures diminuent de façon notable en fonction du temps, une détérioration est présente. Effectuer l'essai de résistance d'isolation comme indiqué au paragraphe 5.
- Activer les appareils suivant les directives du paragraphe 6.
- Après avoir effectué toutes les inspections ci-dessus et les réparations nécessaires, il peut être préférable d'effectuer un essai de température infrarouge sur toutes les connexions électriques. Effectuer cet essai une fois que la canalisation préfabriquée est sous tension et a atteint une température de fonctionnement stabilisée.
- Se reporter au bulletin NEMA BU 1.1. pour obtenir les directives d'entretien supplémentaires.

**Tableau 1 : Lectures de la résistance d'isolation**

DATE : DISPOSITIF :		DATE : DISPOSITIF :		DATE : DISPOSITIF :		DATE : DISPOSITIF :	
Phase	MΩ	Phase	MΩ	Phase	MΩ	Phase	MΩ
A—G		A—G		A—G		A—G	
B—G		B—G		B—G		B—G	
C—G		C—G		C—G		C—G	
N—G		N—G		N—G		N—G	
A—B		A—B		A—B		A—B	
A—C		A—C		A—C		A—C	
B—C		B—C		B—C		B—C	
A—N		A—N		A—N		A—N	
B—N		B—N		B—N		B—N	
C—N		C—N		C—N		C—N	

DATE : DISPOSITIF :		DATE : DISPOSITIF :		DATE : DISPOSITIF :		DATE : DISPOSITIF :	
Phase	MΩ	Phase	MΩ	Phase	MΩ	Phase	MΩ
A—G		A—G		A—G		A—G	
B—G		B—G		B—G		B—G	
C—G		C—G		C—G		C—G	
N—G		N—G		N—G		N—G	
A—B		A—B		A—B		A—B	
A—C		A—C		A—C		A—C	
B—C		B—C		B—C		B—C	
A—N		A—N		A—N		A—N	
B—N		B—N		B—N		B—N	
C—N		C—N		C—N		C—N	


  

DATE : DISPOSITIF :		DATE : DISPOSITIF :		DATE : DISPOSITIF :		DATE : DISPOSITIF :	
Phase	MΩ	Phase	MΩ	Phase	MΩ	Phase	MΩ
A—G		A—G		A—G		A—G	
B—G		B—G		B—G		B—G	
C—G		C—G		C—G		C—G	
N—G		N—G		N—G		N—G	
A—B		A—B		A—B		A—B	
A—C		A—C		A—C		A—C	
B—C		B—C		B—C		B—C	
A—N		A—N		A—N		A—N	
B—N		B—N		B—N		B—N	
C—N		C—N		C—N		C—N	

**Remarque :** Les lectures de résistance en mégohms ne doivent pas être inférieures à  
 $100 \div \text{longueur (en pieds)}$   
ou  
 $30,5 \div \text{longueur (en mètres)}$



Square D  
5735 College Corner Road  
Oxford, OH 45056 USA


I-LINE, Square D et  sont des marques déposées de Square D.

L'entretien du matériel électrique ne doit être effectué que par du personnel qualifié.  
Schneider S.A. n'assume aucune responsabilité des conséquences éventuelles découlant de  
l'utilisation de ce matériel.

45123-961-01\*\* © 1997 Square D Tous droits réservés.

Square D  
5735 College Corner Road  
Oxford, OH 45056 USA

Electrical equipment should be serviced only by qualified electrical maintenance personnel. No responsibility is assumed by Square D for any consequences arising out of the use of this material.

I-LINE, Square D and  are registered trademarks of Square D.

45123-961-01\*\*  
© 1997 Square D All Rights Reserved.

Solamente el personal de mantenimiento eléctrico especializado deberá prestar servicios de mantenimiento al equipo eléctrico. Schneider S.A. no asume responsabilidad alguna por las consecuencias emergentes de la utilización de este material.

I-LINE, Square D y  son marcas registradas de Square D.

45123-961-01\*\*  
© 1997 Square D Reservados todos los derechos.

L'entretien du matériel électrique ne doit être effectué que par du personnel qualifié. Schneider S.A. n'assume aucune responsabilité des conséquences éventuelles découlant de l'utilisation de ce matériel.

I-LINE, Square D et  sont des marques déposées de Square D.

45123-961-01\*\*  
© 1997 Square D Tous droits réservés.